

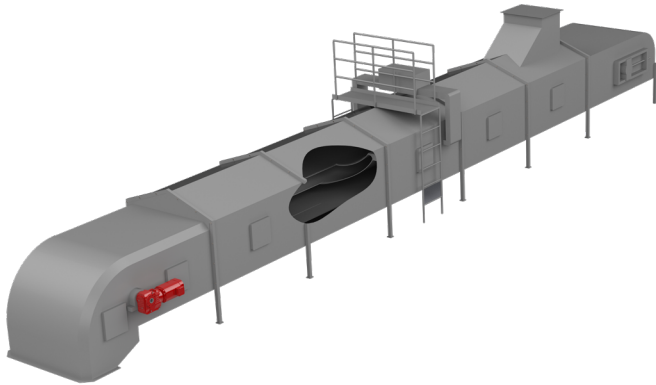
QPDJ

AIR CUSHION BELT CONVEYOR

QPDJ air cushion belt conveyor adopts air film to suspend the conveyor belt and materials, for conveying of granular materials and powdery materials horizontally or inclined. Tail and middle section, head c/w driving unit, air supply, tensioning device etc.

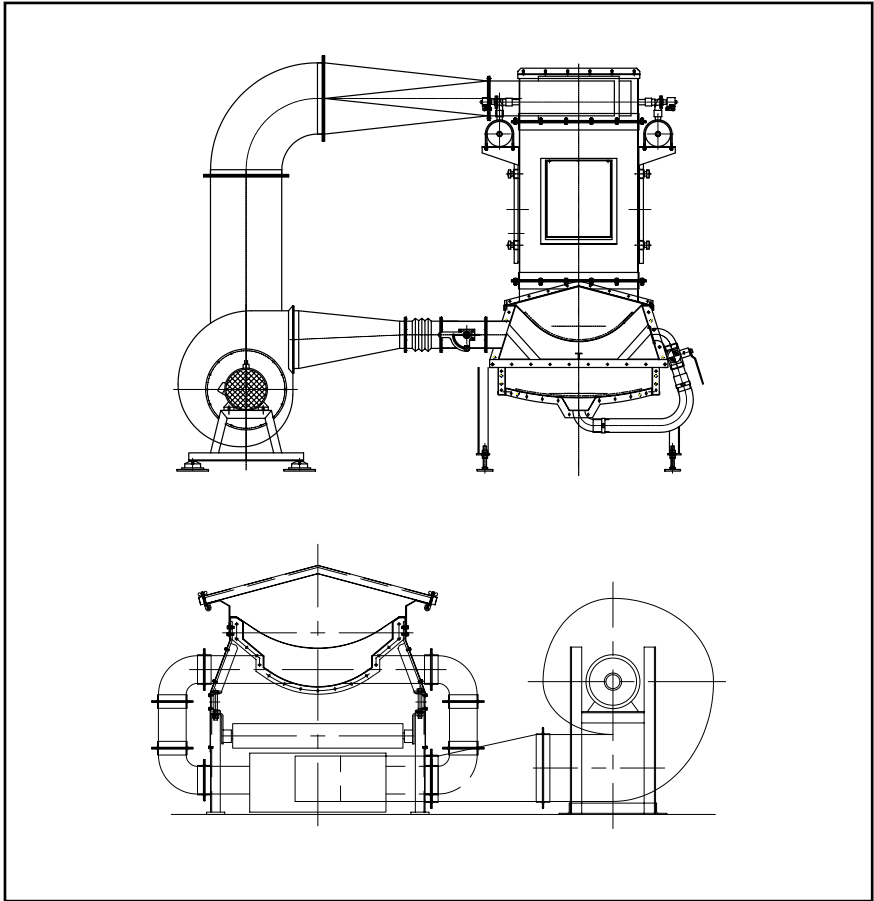
Belt is suspended by an air film to avoid direct contact between the belt and the equipment, reduced equipment wear, energy consumption.

Less bearings, low failure rate, low maintenance costs. Head and tail self-cleaning device (optional). Equipped with speed protection, belt alignment, emergency stop device, pressure sensor etc. to ensure stable operation and protect equipment. Can be equipped with tail, middle section gravity tension etc. per actual design.



info@g-grain.com

More details please visit www.g-grain.com and download



Model	Belt width (mm)	Belt speed (m/s)	Capacity (t/h)
QPDJ-65	650	1.6-2.5	150-230
QPDJ-80	800	1.6-3.15	200-400
QPDJ-100	1000	2-3.15	500-800
QPDJ-120	1200	2-3.15	800-1200
QPDJ-140	1400	2-3.15	1000-1600
QPDJ-160	1600	2-3.15	1200-1800

Capacity is calculated based on bulk density 0.75t/m³